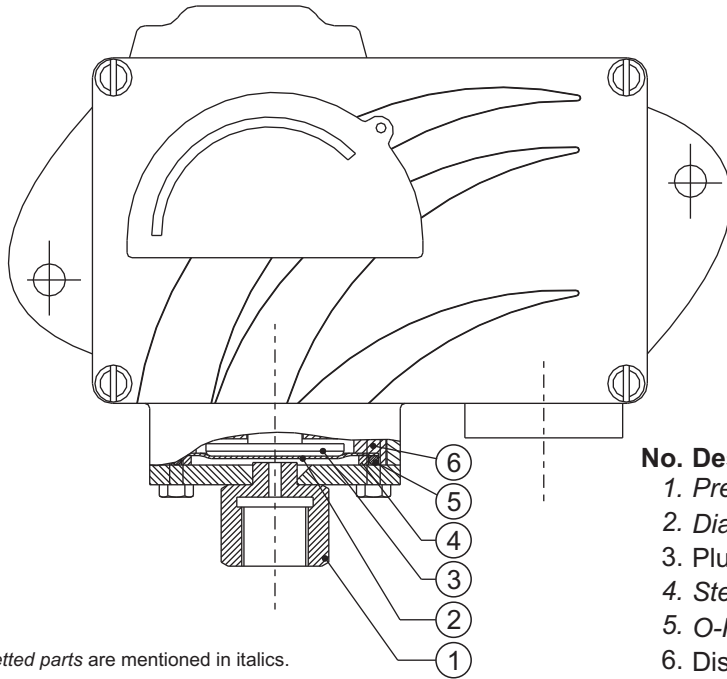


MD OEM HIGH RANGE PRESSURE SWITCHES



PRESSURE CAPSULE DETAILS

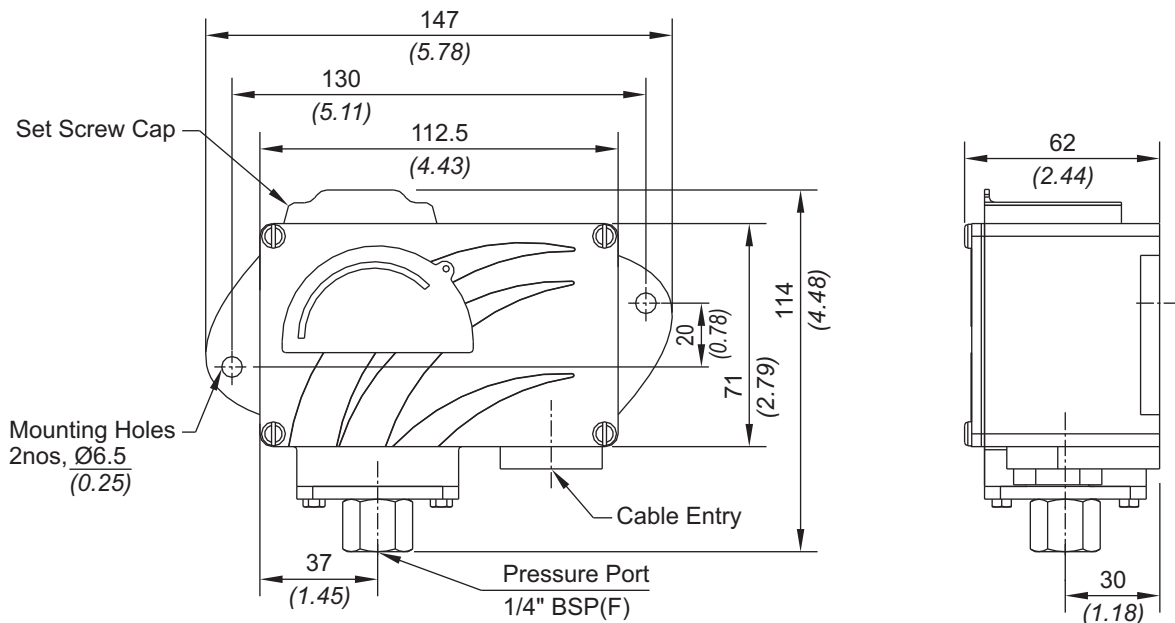


No. Description

1. Pressure Housing
2. Diaphragm (Teflon®)
3. Plunger
4. Steel Ring (SS316)
5. O-Ring (Teflon®)
6. Disc

Note : *wetted parts* are mentioned in italics.

INSTALLATION DRAWING



APPROX. DIMENSIONS IN $\frac{\text{mm}}{\text{inches}}$

RANGE SELECTION TABLE

Model Code	Range † bar (psi)	*Approximate Maximum Differential bar (psi)	Maximum Working Pressure bar (psi)
MD-1	0.1 - 1.0 (1.45 - 14.50)	0.10 (1.45)	12 (174.05)
MD-4	0.2 - 3.6 (2.90 - 52.21)	0.20 (2.90)	12 (174.05)
MD-7	0.5 - 7.0 (7.25 - 101.52)	0.40 (5.80)	12 (174.05)
MD-10	0.5 - 10.0 (7.25 - 145.04)	0.40 (5.80)	25 (362.6)
MD-15	1.0 - 15.0 (14.50 - 217.71)	0.80 (11.60)	25 (362.6)
MD-30	5.0 - 25.0 (72.52 - 362.6)	0.80 (11.60)	35 (507.63)

*Minimum differential increases with setpoint (Graphs available on request)

†Rising pressure for MD series

SPECIFICATIONS :

Range	: As per model code
Electrical rating	: 15 Amp, 250 VAC, SPDT snapaction microswitch
Enclosure[#]	: IP66 standard, pressure die-cast aluminium, black powder coated
Wetted parts	: SS 316 & Teflon
Pressure port	: 1/4" BSPF standard
Electrical Conduit	: 1/2" NPT standard
Maximum temperature of working medium	: 80° C maximum. Please use impulse tubing for higher temperatures

- IP66 is approximately equivalent to NEMA 4X

HOW TO ORDER MD SERIES OEM PRESSURE SWITCHES

Please select model code from Range Selection table